



ULTRAFILTER
THE FILTRATION MANUFACTURER

Kronsbein ultrafilter®



ultra.drain
Condensare drain UAD 012

ultra.drain condensate drain UAD 012

Reliable condensate drainage without compressed air loss

An ultra.drain pays for itself within a few months by energy saving. If a time-controlled drain leaks compressed air of 7 bar every 10 min for 10 sec for one year, costs of approximately Euro 137,00 are incurred. Compare this with Euro 5,00 for supply voltage and zero Euro for compressed air losses using the ultra.drain. Float and time controlled drainers are very sensitive to dirt-laden condensate – thanks to its larger outlet cross sections and fewer moving parts the ultra.drain operates totally reliable and in addition offers an optimum price/performance ratio.

Merkmale und Vorteile

Significantly improved oil-water separation with in-line separators through lower emulsification of the condensate – especially in comparison with time-controlled drainers.

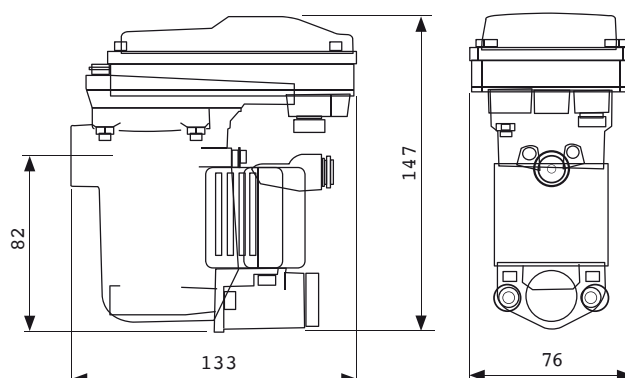
- Extremely quiet in operation: very important if the drainer is used decentrally in workplaces.
- Because of the new valve technology a sensitive membrane like applied in ordinary electronic condensate drains is omitted.
- Reliable sensor
- Horizontal or vertical installation
- Easy maintenance because of the self cleaning filter
- Attractive ergonomic design

Technical data:

type	elect. connection	alarm-kontakt	electrical protection	power	operating pressure	discharge capacity	connection
UAD 012	230 V _{AC} oder 115 V _{AC} 50-60 Hz	UAD S010 only	IP 54	10 VA	0-16 barg	15 l/h	G 1/2"
UAD S012							

type	condensate outlet	operating temperature	volume flow m ³ /min*		
			compressor	dryer	filter
UAD 12	Ø 8	1,5 - 65 °C	4,6 - 8,8	9,28 - 18,56	45,4 - 92,8
UAD S12					

Dimensions (LxWxH) in mm: 133 x 76 x 147:



Technical alterations reserved.



ultrafilter gmbh

Otto-Hahn-Str. 1 • 40721 Hilden • Germany

Tel: +49 (0) 21 03.33 36 0 • Fax +49(0)21 03.33 36 36

e-Mail: info@ultra-filter.de • www.ultra-filter.de